



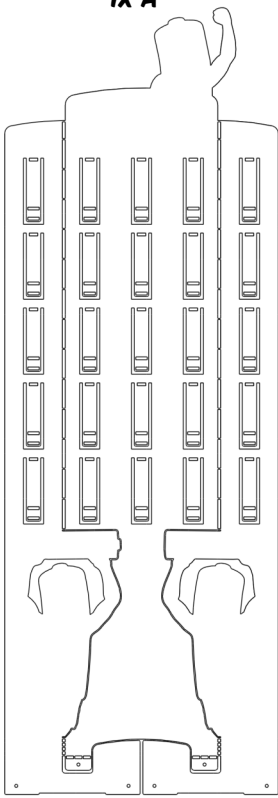
SETUP GUIDE

ENERGIZER FSDU
ENERGIZER
P1018

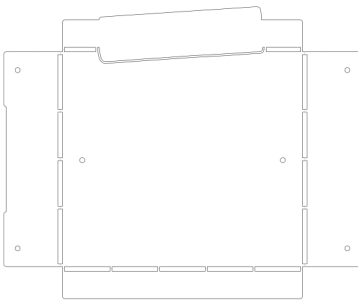
BRANDED RETAIL SOLUTIONS
ORIGAMITM
SUSTAINABLE FLATPACKED PATENTED DISPLAYS

FOR **SAFETY** AND **STABILITY**,
FOLLOW **EVERY STEP** OF THIS GUIDE.
AVOID REPEATED BENDING.

1X A



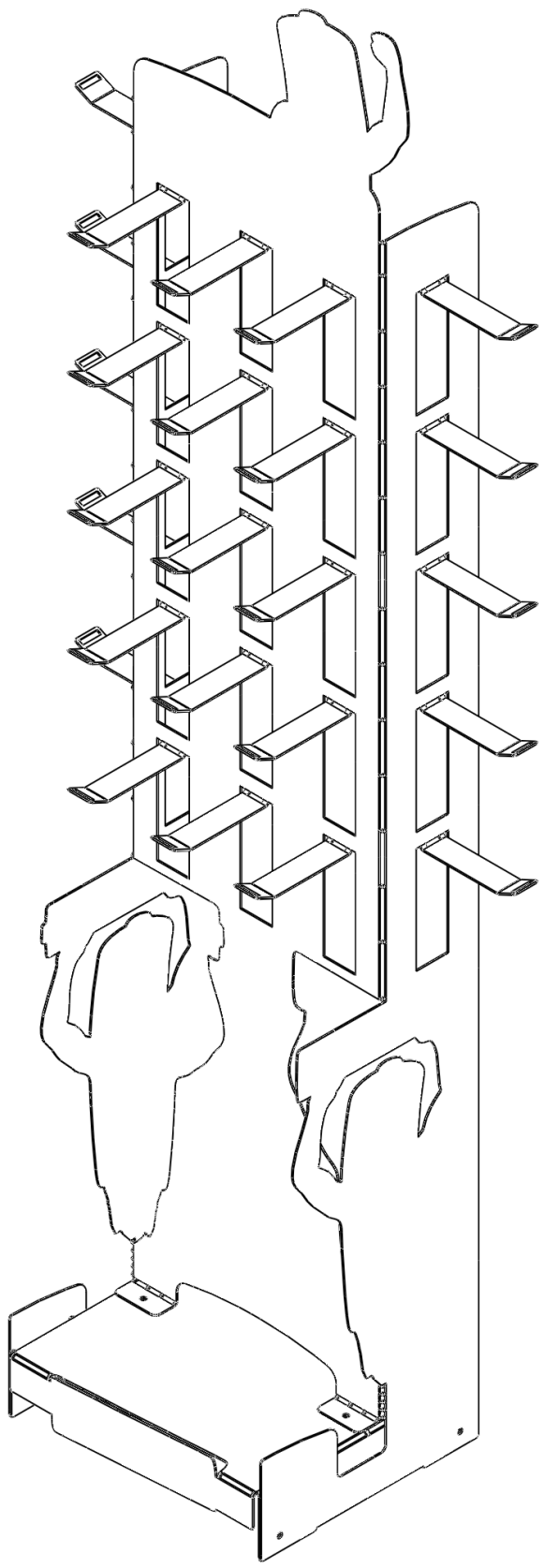
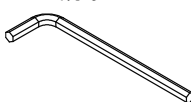
1X B



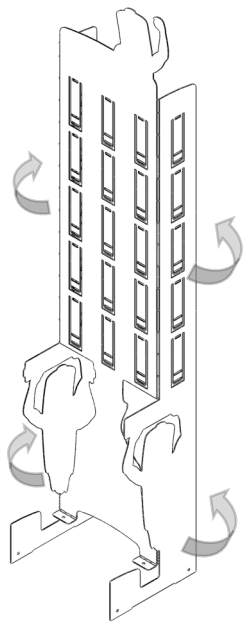
6X C



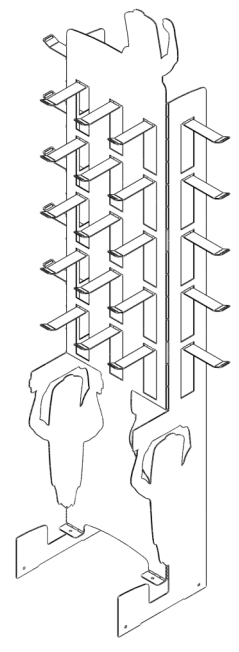
1X D



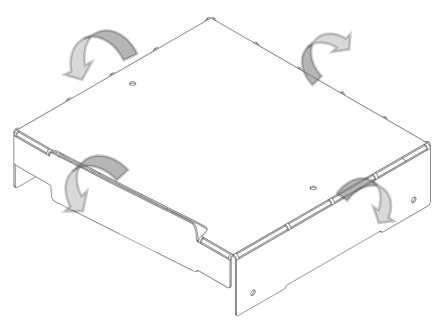
1



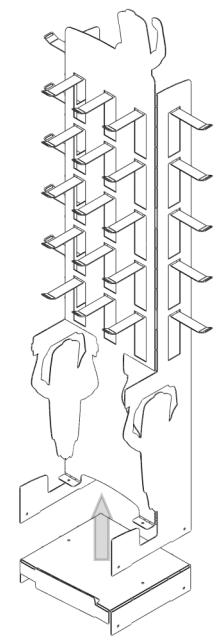
2



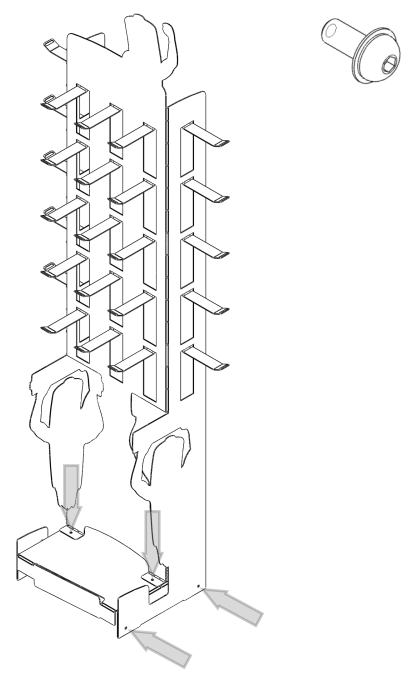
3



4



5



6

